

## 1. Brief Introduction

IOT5304MW-05ET series module is R/W module based on 13.56Mhz, which adopt with NXP original special chips, compliant with ISO/IEC 14443A, B, ISO/IEC 15693 international standard at the same time or separately, and able to write data into blocks or customize sector data of cards by sending command.

This module is small in size, and can be configured with different size external antenna for different applications, to realize the best reading range with stable function.

It has complete communication port of TTL, enable it easy to connect with different device conveniently.

Along with the goods, all relative SDK files, including API documents, demo code, test demo, etc will be available to operate different IC cards and develop new application solutions.

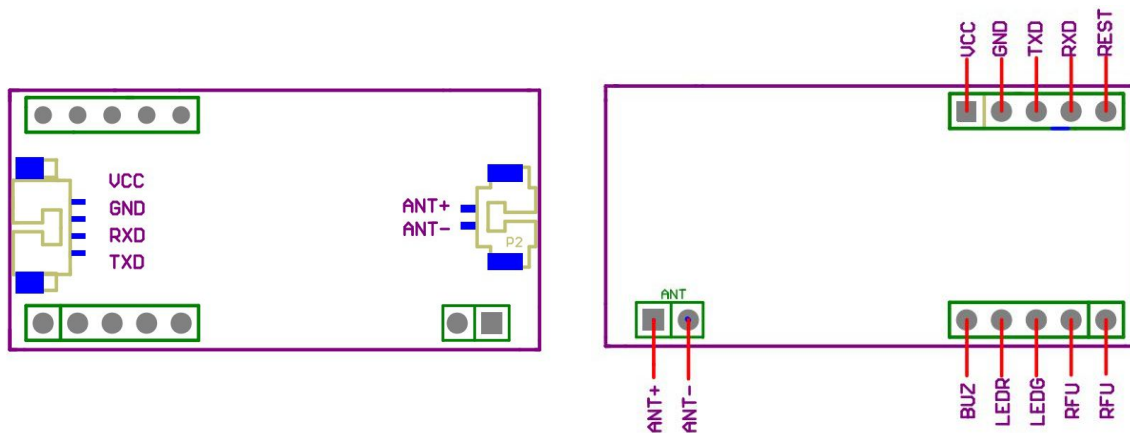
## 2. Key Features

- Compact size, easy integration
- External antenna, multi-sizes for options
- DC5V, or low consumption version optional
- Read and write with ISO14443A, B, ISO15693 or their compatible cards
- Available with R/W NTAG203,NTAG205,NTAG213, NTAG215 tags
- Available with CPU cards operating
- Complete SDK files and DEMO providable

### 3. Typical Application

- Handheld data collection device
- Access control device
- Time attendance
- One-card system
- POS terminal
- Android device

### 4. Dimension & PINs



PIN Definition	
J1-PIN1	Obligate(RFU)
PIN2	Obligate(RFU)
PIN3	LEDG
PIN4	LEDR
PIN5	BUZ
J2- PIN1	RESET
PIN2	RXD/DATA1
PIN3	TXD/DATA0
PIN4	GND
PIN5	+5V(DC)
J3-PIN1	ANTENNA-
PIN2	ANTENNA+

*LED and Buzzer control :*

*LED – control by I/O port, external driver circuit needed, and status control by commands )*

*BUZ – control by I/O port, external driver circuit needed, working status controlled by commands*

## 5. Technical Parameters

Frequency	13.56MHz		
Baudrate	9600-115200bit/s(adjustable, default 9600)		
Protocol	ISO/IEC14443-A	ISO/IEC 14443B	ISO/IEC 15693
Card types	Mifare One S50 Mifare One Ultralight; Mifare OneS70; NTAG 203,NTAG205,NTAG21 3,NTAG215,NTAG216 Contactless CPU cards	AT88RF020; 66CL160S; SR176; SRIX4K;	I CODE SLI, I CODE SLIS, TI RFID Tag-it HF-I, EM4135 EM4034
Port	TTL		
Power supply	DC 5V (±5%)		
Current	< 100mA		
Reading range	60 ~ 80 mm (depends on tags and antenna)		
Working temp	-10℃ ~ +70℃		
Storage temp	-20℃ ~ +80℃		
Dimension	39mmX19mmX5.8mm		
Antenna	External, multiple size for option or customized		