

## 1. Brief Introduction

IOT5307MW- 4S is an embedded Contactless & Contact R/W module, which special designed for contactless CPU cards application used .

It has 4 PSAM card slot, which compliant with ISO7816 standard, it also available with external SAM slot.

This module is integrated with Contactless CPU card communication protocol and CPU cards operation encapsulate in the module, then able to do card operating through UART, or USB port.

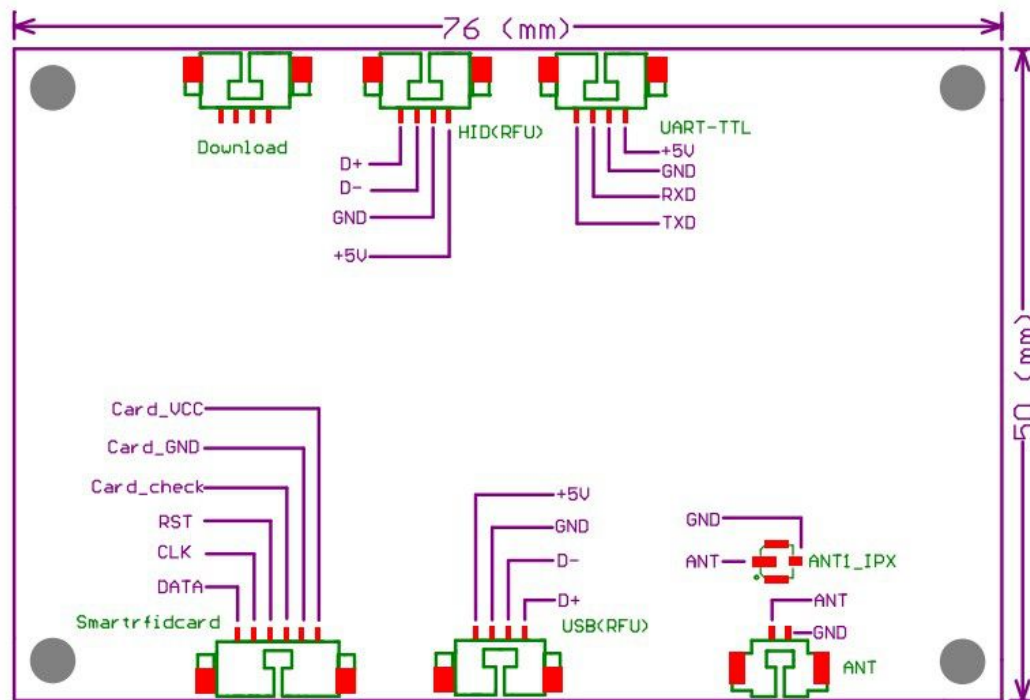
## 2. Key Features

- With industrial microprocessor
- Power from 2.7V ~5.5V
- Embedded with 2 PSAM card slot
- Available with external ISO7816 standard card slot
- Indication by LED and one Buzzer
- Support ISO14443-3/4, and ISO7816 Standard
- External antenna, different size for option

### 3. Typical Application

- Finance
- Consumer
- Social Security
- Postal & Telecom
- Bus & Metro Station

### 4. Dimension&PINS



### 5. Technical Parameter

Frequency	13.56Mhz
Baudrate	115200 bit/s
Interface	TTL (UART)/USB/HID
Card types	Contactless ISO/IEC 14443A Mifare S50, S70, Mifare Ultralight, ISO14443-3/4 CPU cards and SAM cards ISO7816 Standard PSAM cards, etc
Power	DC 5V (±5%)
Current	<70 mA
Reading range	depends on installing position and antenna ,can be up to 7 cm
Working temperature	-20°C ~ +70°C
Storage temperature	-20°C ~ +80°C
Dimension	76mmx50mmx4mm