

## 1. Brief Introduction

IOT5309MW-3S is a dual-interface smart R/W module, which available with Contactless & Contact R/W cards and CPU cards. It has 3 PSAM card socket and 1 SAM smart card socket, compliant with ISO7816 and ISO 14443-4 standard.

This module is integrated with Contactless CPU card communication protocol and CPU cards operation encapsulate in the module, and able to do card operating through UART, or USB/HID port.

Those functions enable it to be widely used in all kinds of applications requesting high security and encryption.

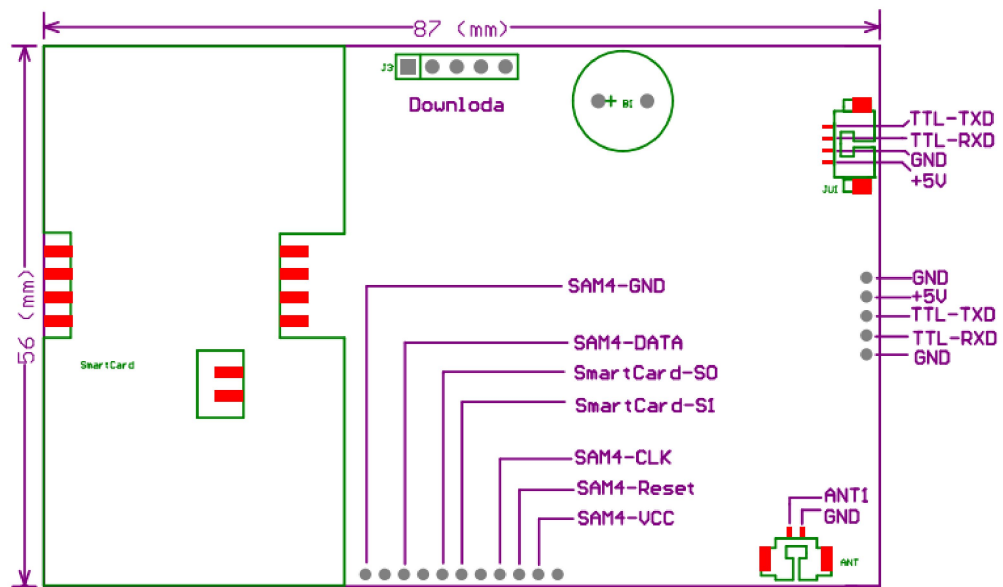
## 2. Key Features

- With industrial microprocessor
- Power from 2.7V ~5.5V
- Embedded with 3 PSAM card slot and 1 SAM smart card
- Indication by LED and one Buzzer
- Support ISO14443-3/4, and ISO7816 Standard
- External antenna by PIN connector or IPEX

### 3. Typical Application

- Finance
- Consumer
- Social Security
- Postal & Telecom
- Bus & Metro Station

### 4. Dimension&PINS



### 5. Technical Parameter

Frequency	13.56Mhz
Baudrate	115200 bit/s
Interface	TTL (UART)/USB/HID
Card types	Contactless ISO/IEC 14443A Mifare S50, S70, Mifare Ultralight, ISO14443-3/4 CPU cards and SAM cards ISO7816 Standard PSAM cards, etc
Power	DC 5V (±5%)
Current	<70 mA
Reading range	depends on installing position and antenna ,can be up to 7 cm
Working temperature	-20°C ~ +70°C
Storage temperature	-20°C ~ +80°C
Dimension	87mmx56mmx4mm